

FITTING PROCEDURE XL-Sound Service

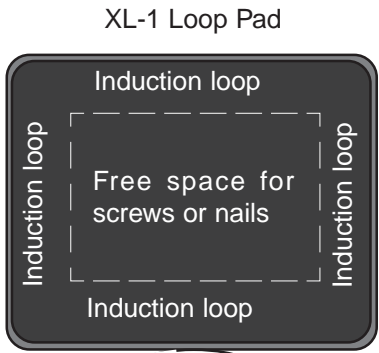
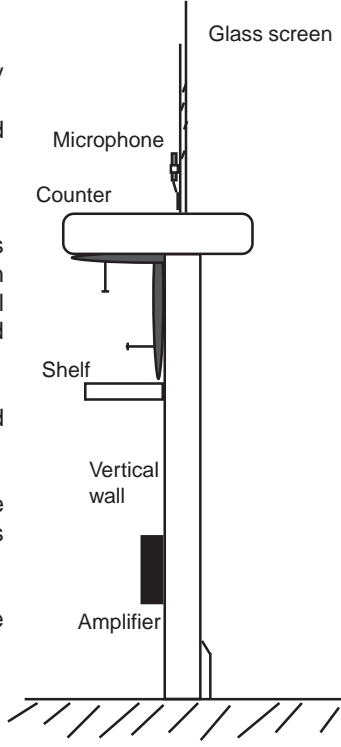
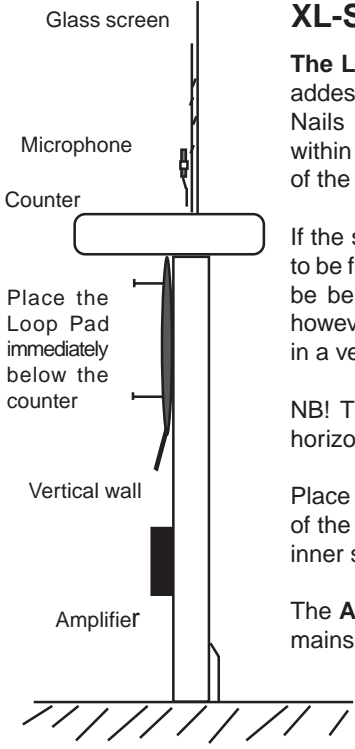
The **Loop Pad** can be fitted either by adhesive tape, nails or by screws. Nails and screws shall only be used within the central rectangular part of the Loop Pad as indicated.

If the surface to which the Loop Pad is to be fixed is too small then the pad can be bent slightly as shown. In general however the Loop Pad should be fixed in a vertical position

NB! The Loop Pad must not be fixed horizontally.

Place the **Microphone** at the inner side of the glass screen. The figures shows inner side to the left.

The **Amplifier** is mounted close to the mains outlet below the counter.



Adhesive tape can be fixed anywhere on the Loop Pad

Connections and adjustments:
Loop pad is connected to - LOOP PAD and Microphone to - MIC on rear of amplifier.
Adjust level by - VOLUME on front of amplifier.
POWER - LED Indicates that amplifier is connected to the mains.
LOOP - LED indicates that signal is present in the induction loop and that the system is working.

FITTING PROCEDURE XL-Sound Service

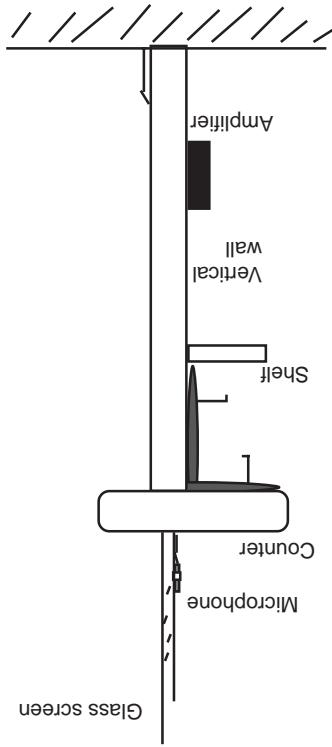
The **Loop Pad** can be fitted either by adhesive tape, nails or by screws. Nails and screws shall only be used within the central rectangular part of the Loop Pad as indicated.

If the surface to which the Loop Pad is to be fixed is too small then the pad can be bent slightly as shown. In general however the Loop Pad should be fixed in a vertical position

NB! The Loop Pad must not be fixed horizontally.

Place the **Microphone** at the inner side of the glass screen. The figures shows inner side to the left.

The **Amplifier** is mounted close to the mains outlet below the counter.



Adhesive tape can be fixed anywhere on the Loop Pad

Connections and adjustments:
Loop pad is connected to - LOOP PAD and Microphone to - MIC on rear of amplifier.
Adjust level by - VOLUME on front of amplifier.
POWER - LED Indicates that amplifier is connected to the mains.
LOOP - LED indicates that signal is present in the induction loop and that the system is working.

